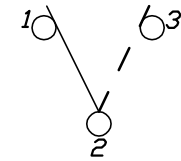
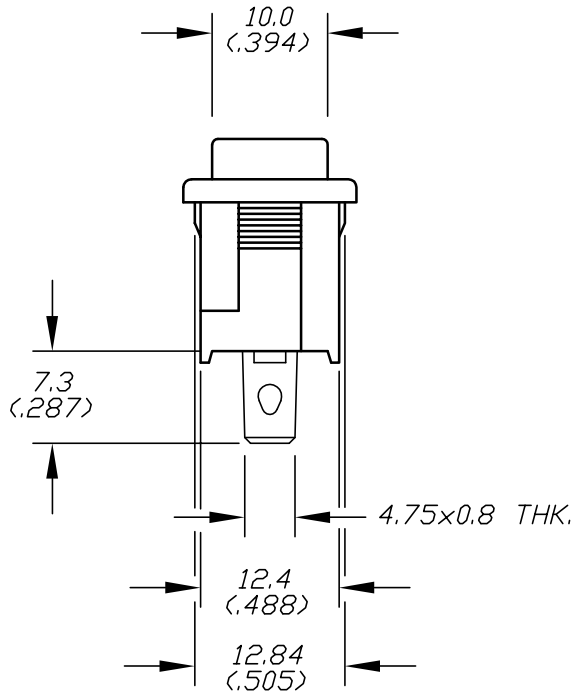
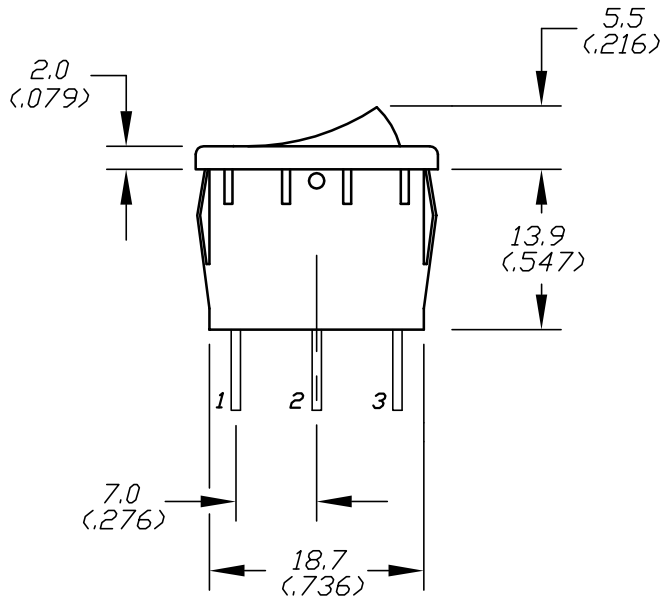


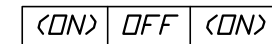
RECOMMEND PANEL MOUNTING

PANEL THICKNESS	X
0.75-1.25 (.030-.049)	19.2 (.756)
1.25-2.0 (.049-.079)	19.4 (.764)
2.0-3.0 (.079-.118)	19.8 (.780)



CIRCUIT: SPDT

CONTACT CONFIGURATION



( )=Momentary

NOTES:

1. ALL DIMENSIONS IN MM (INCHES)
2. TERM. NOS. FOR REF ONLY
3. RATING: 15A 125V, 6A 250VAC.

TOLERANCES				E-SWITCH®							
								±0.4	±0.25	TITLE	
0.0	0.00	SCALE	1.5:1	DATE	3/10/97	DR	MM	DWG	M304202	REV	A

A	RELEASED FOR PRODUCTION		
REV.	DESCRIPTION	DATE	CHKD
THE INFORMATION CONTAINED IN THIS DOCUMENT IS PROPRIETARY TO E-SWITCH AND IS NOT TO BE COPIED OR TRANSFERRED			